



**BLACKline™ hhp**  
HIGH HEAT PERFORMANCE

**RANCH RAIL**

## Revolutionary Black Vinyl Providing Estate Elegance and Animal Safety

Blackline™ HHP is the first BLACK vinyl ranch rail fence that is designed for high temperature performance. Previous dark colored vinyls have not had access to our unique high temperature thermoplastic formulations, thereby eliminating the sag and distortion tendencies often found in dark plastics.

Additionally, the knowledge base on the color stability of black vinyl has now expanded to make black one of the best dark colors to formulate without fading or chalking issues. The secret is using the right carbon black in the right amounts, along with UV inhibitors, and fading becomes a non-issue. The combination of heat and color stability makes Blackline HHP a unique performer in the world of dark colors.

### Advantages:

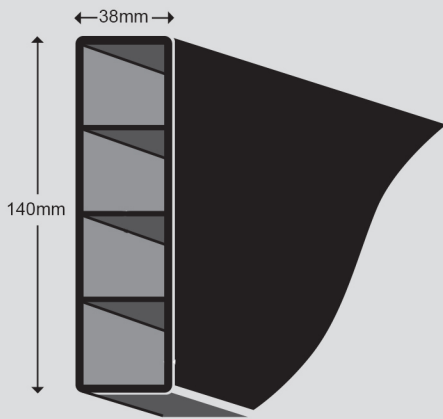
- Little to no maintenance
- No painting or sealing required
- Less visibility of mildew or dirt
- Won't fade, chalk, chip, peel, blister,
- No splitting, cracking, or sharp edges
- Lifetime warranty
- Excellent strength and flexibility
- Reduces cribbing and chewing
- Does not absorb moisture
- Fast and easy to replace or repair
- Standard vinyl installation

**BLACKline™ hhp**  
HIGH HEAT PERFORMANCE

[polvinfencing.com.au](http://polvinfencing.com.au)

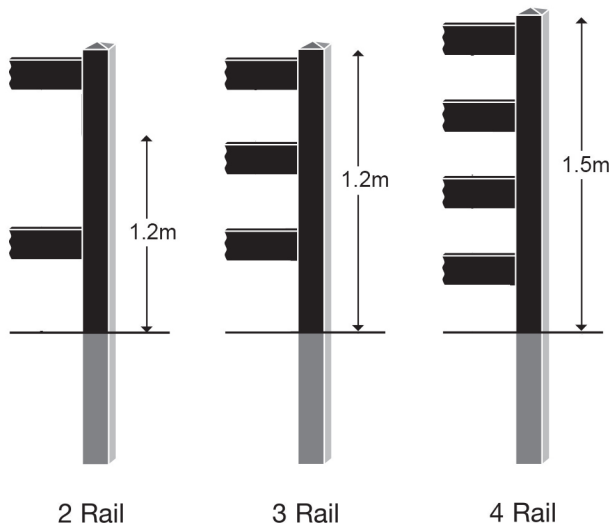
## Rail Specifications

140 x 38 x 4800mm ribbed



Crimp or notch both sides on both ends to secure the rail into the post. The triple-rib rail design provides extra impact resistance while maintaining flexibility for the safety of your horses.

## Spacing Specifications



Rails are 4.8m long and designed to alternate between posts to increase strength. Posts are placed on 2.4m centers. Call for more information on spacing and sizes.

Gates are available in many sizes to suit your needs.

The perfect combination of beauty, safety, and strength was our goal in the design of Blackline ranch rail.

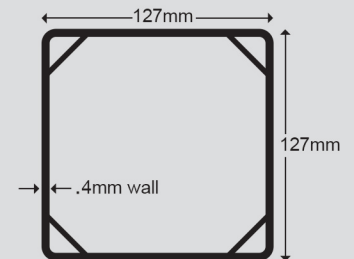
Our two-rail design is an excellent choice for all your home, property, boundary, and recreational needs.

Our three- and four-rail designs provide superior strength and durability for your horses and livestock.

Blackline's simple and elegant designs offer a natural and durable look that will enhance your property with virtually no maintenance.

## Post Specifications

127mm x 127mm x 4mm wall thickness with gussets in each corner to ensure superior strength.



**BLACKline**™ *hhp*  
HIGH HEAT PERFORMANCE

Polvin Fencing  
36 Jayco Drive  
Dandenong South  
Victoria 3175  
Australia

Free Call: 1800 339 675  
Office: (03) 9768 2198  
Fax: (03) 9706 4011  
Email: [sales@polvinfencing.com.au](mailto:sales@polvinfencing.com.au)

[polvinfencing.com.au](http://polvinfencing.com.au)